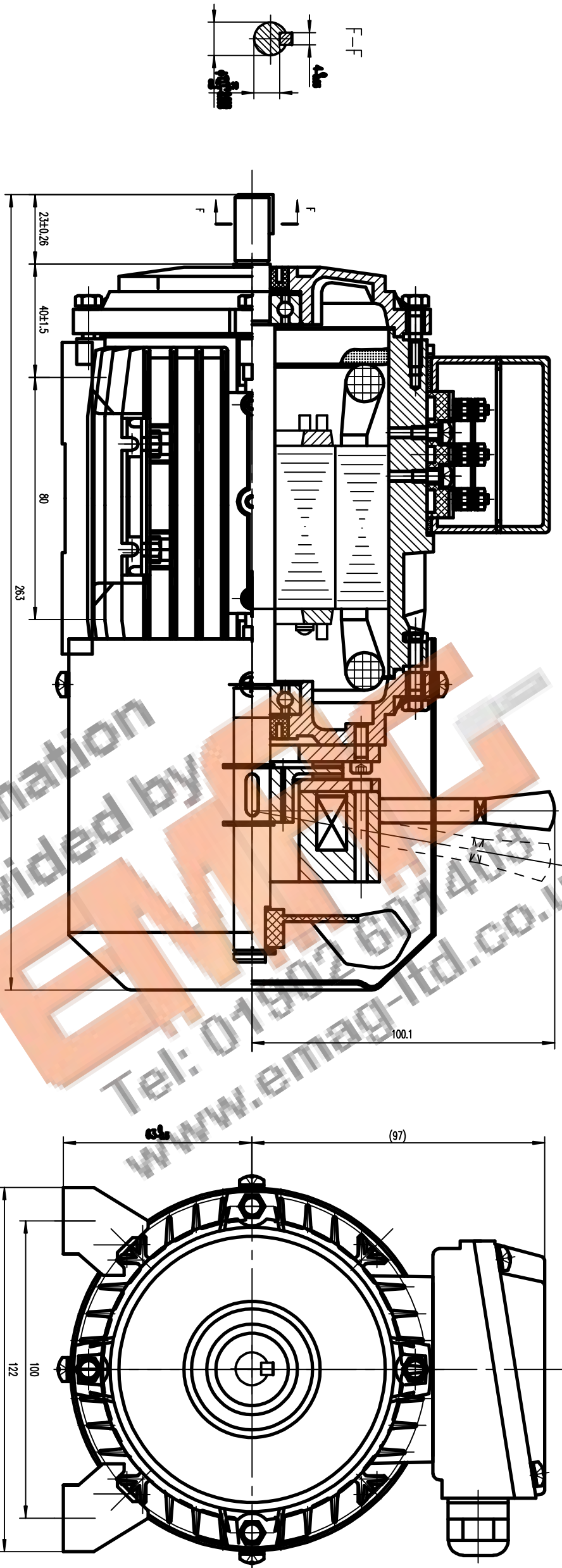


RevNo	Revision note	Date	Signature	Checked



Information provided by
 Tel: 01902 607409
 www.emag-ltd.co.uk

Quantity	Title/Name, designation, material, dimension etc	Article No./Reference
Designed by	Checked by	Approved by - date
File name	Date	Scale

AMTECS LTD

AMA-B 63

Edition 0
Sheet 1/1

